



PRESORTED STANDARD
U.S. POSTAGE PAID
Santa Ana, CA
PERMIT NO. 3

DOCTOR DIRECT SALES, INC.

26245 Enterprise Court, Lake Forest, CA 92630
949.770.8393 Fax 949.770.2657

1.800.795.5118 • www.dds dental.com

**DDS Endura II
Push Button**

Special
Push Buttons
3 For
\$150 each



**DDS Replacement
for Star***

- No Lube — Sure Grip
- 6 Month Warranty
- Ceramic Bearings Available

Special
Buy
4 For
\$150 each
Receive 1 FREE



Fits All Star Push Button Handpieces



- Mini
- Standard
- Super Grade

Canister Only!

Special
Buy
6 For
\$40 each
Receive 1 FREE

Special
Buy
12 For
\$35 each
Receive 2 FREE

Special
Buy
18 For
\$30 each
Receive 3 FREE

HANDPIECES • TURBINES • REPAIRS • BEARING KITS

Rippin' Repairs

**Six Month
Warranty**

**Ceramic
Repair
Available**



**Complete
Restoration**

• No More Than \$70



**Upgrade to
Maintenance
Free - \$109**

Highspeed Charges

Complete Restoration - No more than\$70⁰⁰
Retrofit to no lube / Maintenance Free\$109⁰⁰
Ceramic Repair\$129⁰⁰
Sonic Scaler Repairs - No more than\$95⁰⁰
Six Month Warranty

Slowspeed Charges

Complete Overhaul - No more than\$150⁰⁰
Back End Replacement (Little Guy & Titan)\$80⁰⁰
Rethreading (Shorty & Tru-torc)\$105⁰⁰
One Year Warranty

DDS Turbines *to Fit*

Midwest (Quiet-Air, Tradition, Stylus) • Lares • Kinetic
Star • Safco • Sabra • Micro Motors • KAVO • W&H
Siemens • BienAir • NSK • Healthco • Lynx
DDS-Canisters (Mini, Standard, Supergrade) • Yoshida

www.dds dental.com
1-800-795-5118



DOCTOR DIRECT SALES, INC.

26245 Enterprise Court
Lake Forest, CA 92630
949.770.8393 • Fax: 949.770.2657

TERMS AND CONDITIONS OF ORDERS:

All orders will be shipped UPS 2 day air
In California add 8.75% Sales Tax + \$7.00 Shipping
Outside California add \$17.00 for shipping & handling
COD add another \$10.00 on all orders
Canada, and outside continental US add \$15.00 for shipping & handling

* Note: Products supplied by DDS are manufactured in the USA for replacement of the original manufactured parts. No implication is made that any of these products are original factory products or that any of these companies endorse any of our products. Star is a registered trademark of Den-Tal-EZ. Prices subject to change without notice.

• VISA, MasterCard, Discover & American Express Accepted

Six month warranty on all turbines from date of purchase, excluding canister which is 3 months for screw type and 4 months for push button.

Hummin' Handpieces



**DDS Endura II - Bur Tool Style
Highspeed Handpiece**

Special
3 for
\$85 Each
(bur tool)



Special
6 for
\$80 Each
(bur tool)

Standard 4 Hole H2000\$100⁰⁰
Standard 2 Hole H2002\$100⁰⁰
• No Lube Version, H2000LF\$135⁰⁰
Mini 4 Hole Only H1000\$100⁰⁰
• No Lube Version, H1000LF\$135⁰⁰

Special
Push Buttons
3 For
\$150 each

DDS Endura II - Push Button

Special
3 for
\$175 Each
(no lube push button)



Standard 4 Hole PB H4000\$175⁰⁰
• No Lube Version, H4000LF\$205⁰⁰
Mini 4 Hole PB H3000\$175⁰⁰
• No Lube Version, H3000LF\$205⁰⁰

DDS Endura - Fiber Optic

- For increased visibility use Fiber Optics
- Fully Autoclavable/Chemoclavable

Fiber Optic H2100\$219⁰⁰
• No Lube Version, H2100LF\$244⁰⁰
Fiber Optic Push Button H4100\$299⁰⁰
• No Lube Version, H4100LF\$324⁰⁰



**NEW
ITEM**



DDS Scaler

S1100 Scaler—Includes 3 Tips\$425⁰⁰
S3100 Scaler Fits Star™ Coupler\$425⁰⁰

Scaler



SLOWSPEED HANDPIECES

DDS Micromite

H5200 Micromite 5K \$325⁰⁰



2 for
\$310 Each

Attachments

H5008 U-Style Contra Angle..... \$25⁰⁰
H5002 MW Contra Angle Sheath.... \$110⁰⁰
H5007 MW Latch Head \$75⁰⁰
H5001 MW Straight Nosecone \$159⁰⁰

DDS Elite Torque

H5503 E-type 20K Motor \$325⁰⁰



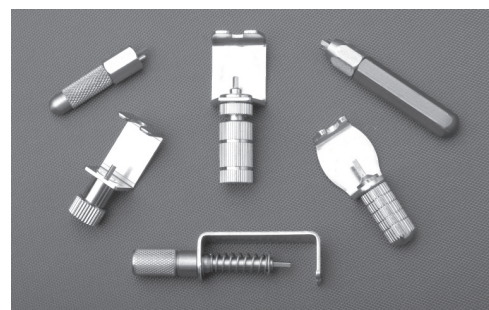
E-Type
3 Piece Kit

2 for
\$310 Each

Lubricants

Icon Labs. STER-L

• Extends life of all highspeed and slowspeed handpieces
• Non-drying, non-clogging / no aerosol hazards
• NO NEED TO RE-LUBRICATE AFTER STERILIZATION
2 x 2 oz. Bottles C6002 (metered spray)..... \$15⁰⁰



10 for
\$10 Each

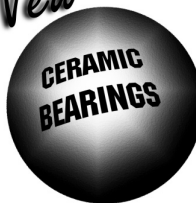
DDS Bur-Wrenches

Midwest Tradition/8000 B3001..... \$15⁰⁰
Midwest Quiet-Air B3002..... \$15⁰⁰
Universal (Adjustable) B3004..... \$12⁰⁰
Universal (Adjustable) B3004A \$15⁰⁰

Totally Turbines



New



Ceramic is the hardest, lightest material of any ball bearing used today, critical for extending turbine longevity. Call for pricing.

DDS Replacement for Midwest*

Quiet Air

Special Buy
6 For
\$75 each



Quiet Air
or
Tradition

Standard
Style Only

T1002 Quiet Air Standard \$85⁰⁰
T1002LF No Lube \$110⁰⁰
B3002 Bur Wrench..... \$15⁰⁰
T2002 Quiet Air Power Lever \$140⁰⁰
T2002LF No Lube \$165⁰⁰
T1002BK Bearing Kit \$25⁰⁰
T1002BKLF No Lube \$44⁰⁰

Tradition-XGT

Special Buy
3 For
\$125 each



OR
Buy
6 For
\$115 each

T1001 Tradition Standard \$85⁰⁰
T1001LF No Lube \$110⁰⁰
B3001 Bur Wrench..... \$15⁰⁰
T2001 Tradition Power Lever \$140⁰⁰
T2001LF No Lube \$165⁰⁰

Convert Tradition Standard to Push Button

T2001 PBC..... \$165⁰⁰
T2001 PBCLF No Lube..... \$190⁰⁰
T2000 XGT/Tradition Push Button..... \$140⁰⁰
T2000LF No Lube..... \$165⁰⁰

Stylus T2008 \$140⁰⁰



GOLD LABEL

TURBINE



DDS Replacement for Star*

GL-T2003PBV No Lube..... \$225⁰⁰
GL-T2003PB Lube \$200⁰⁰

3 for
\$210 Ea.
No Lube

DDS Replacement for Kavo* Push Button

GL-T2006PBS Small..... \$200⁰⁰
GL-T2006PBL Large..... \$200⁰⁰
GL-T2035 Fits 635 \$200⁰⁰
GL-T2047 Fits 647/649 \$200⁰⁰

3 for
\$185 Ea.

DDS Replacement for Lares* Push Button

GL-T2007PBS Fits 557 \$200⁰⁰
GL-T2007PBL Fits 757 \$200⁰⁰

DDS Replacement for Midwest* Push Button and Latch

GL-T2000 XGT/Tradition PB \$200⁰⁰
GL-T2001 Tradition Latch \$200⁰⁰
GL-T2002 Quiet-Air Latch..... \$200⁰⁰
GL-T2008 Stylus \$200⁰⁰

3 for
\$185 Ea.

DDS Replacement for Star*

T2003PBV DDS Star No Lube \$165⁰⁰ OR
• Fits 430K, Starflex, Advantage, No Lube

Buy
3 For
\$150 each

T2003PB DDS Star (Lube Type) \$140⁰⁰ OR
• Fits 430K, Starflex, Advantage

Buy
3 For
\$125 each



No Lube

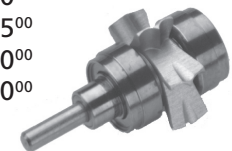
TC2003 Push Button Cap \$30⁰⁰
B3003 Star Bur Wrench \$15⁰⁰

Buy 4 For \$150 ea.
Receive 1 FREE

DDS Replacement for Kavo*

T2006 PBL Large Fits 630 & 640 \$140⁰⁰
T2006 PBL LF No Lube \$165⁰⁰
T2006 PBS Small Fits 632, 642, 643 \$140⁰⁰
T2006 PBS LF No Lube \$165⁰⁰
T2035 Fits 635..... \$140⁰⁰
T2047 Fits 647/649 \$140⁰⁰

Buy
3 For
\$125 each



6 for \$40 each!

Canister Only



DDS Universal Canister*

T1004 Standard \$45⁰⁰
T1004LF No Lube \$70⁰⁰
T1004P Performance \$65⁰⁰
T1005 Mini..... \$45⁰⁰
T1005LF No Lube \$70⁰⁰
T1004S Super Grade (Safco)* \$55⁰⁰
TC1004 Cap..... \$10⁰⁰

Buy 6 For \$40 ea.
Receive 1 FREE

Buy 12 For \$35 ea.
Receive 2 FREE

Buy 18 For \$30 ea.
Receive 3 FREE

DDS Push Button Canister Turbine*

Designed to fit many Japanese style handpieces (Pana-Air, True-Speed, Athena, Champ-Air etc.). **Note:** Bur wrench style handpieces can be converted to push button by installing a push button turbine and cap into your existing handpieces.

T2004 Standard \$85⁰⁰
T2004LF No Lube \$115⁰⁰
T2005 Mini..... \$85⁰⁰
T2005LF No Lube \$115⁰⁰
T2004S Super Grade (Safco)* \$90⁰⁰
TC2004 Push Button Cap..... \$15⁰⁰

Buy
6 For
\$80 each

DDS Replacement for Lares*

T2007 PBS Lares - Small Head 557 \$120⁰⁰
T2007 PBL Lares - Large Head 757 \$120⁰⁰
T2007 PBLU Lares - Ultra 757 \$165⁰⁰

DDS Replacement for NSK/Kinetic*

Phatelus - Mach Lite/NL75 - NL45 - NL65 - NL95
T2075M Mini \$140⁰⁰
T2075S Standard \$140⁰⁰
T2075T Torque..... \$140⁰⁰

Buy
3 For
\$125 each



www.dds dental.com • 1-800-795-5118